

1988-98 GM-C/K SERIES WIRING SCHEMATIC

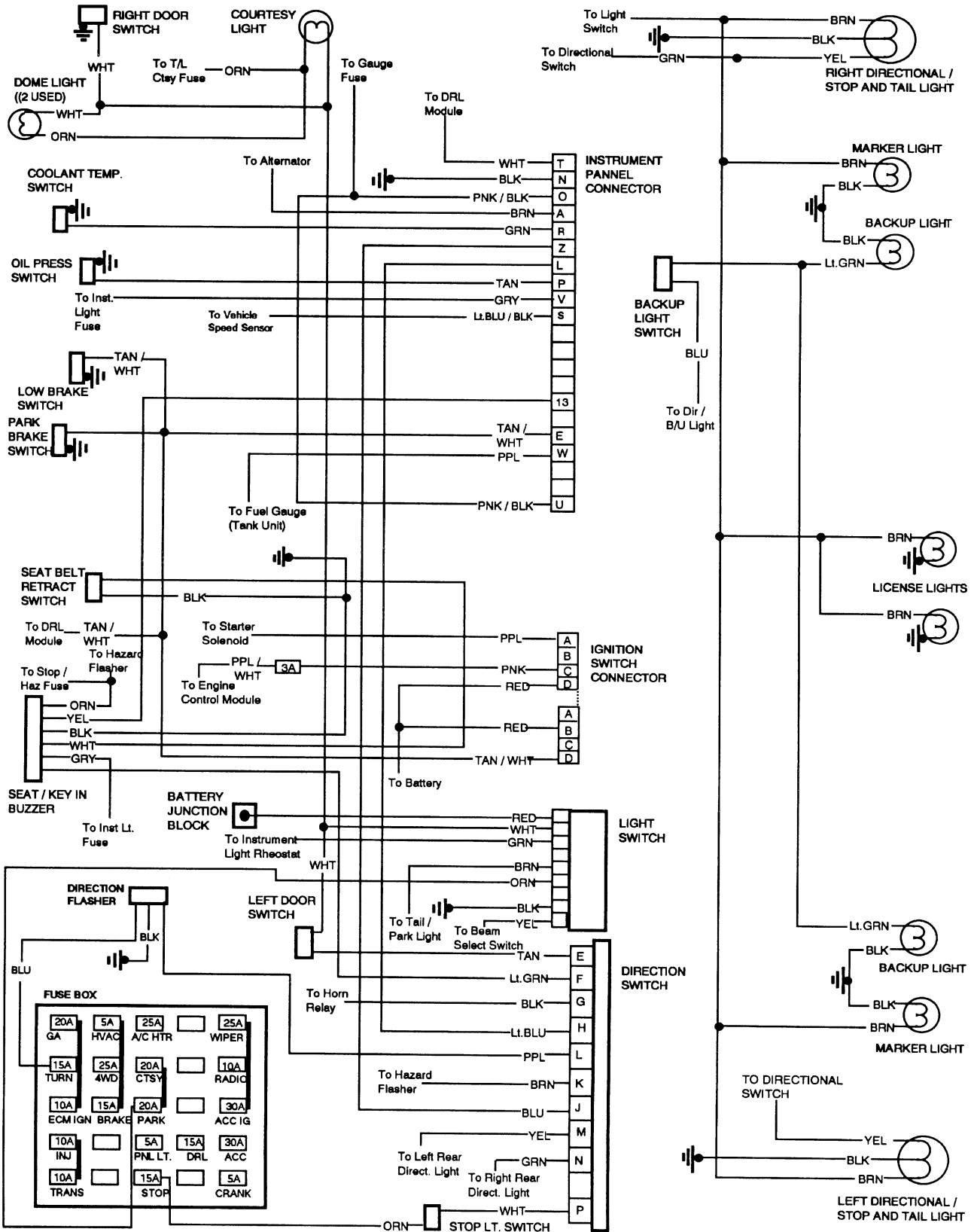


DIAGRAM 4