

Car-Pro®

by:

AUTOPAGE ((U))

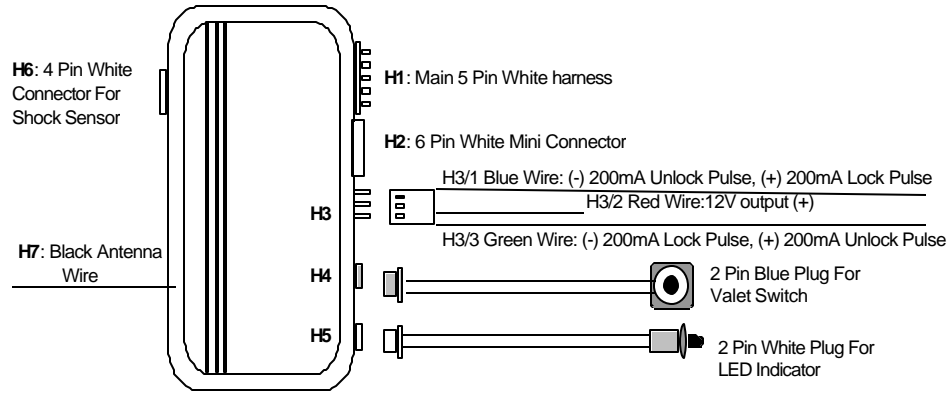
CPX-2600

PROFESSIONAL VEHICLE SECURITY SYSTEM

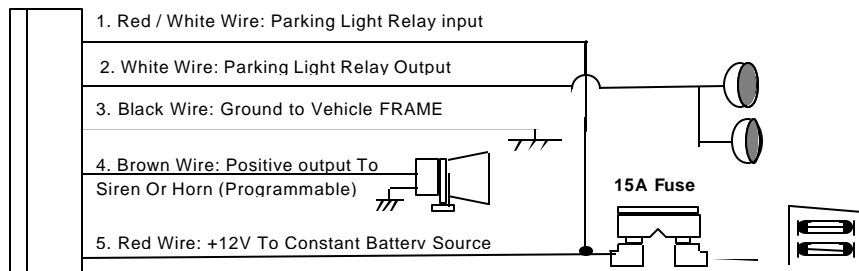
INSTALLATION MANUAL
(For Authorized Dealers Only)

THIS PRODUCT IS DESIGNED FOR PROFESSIONAL INSTALLATION ONLY

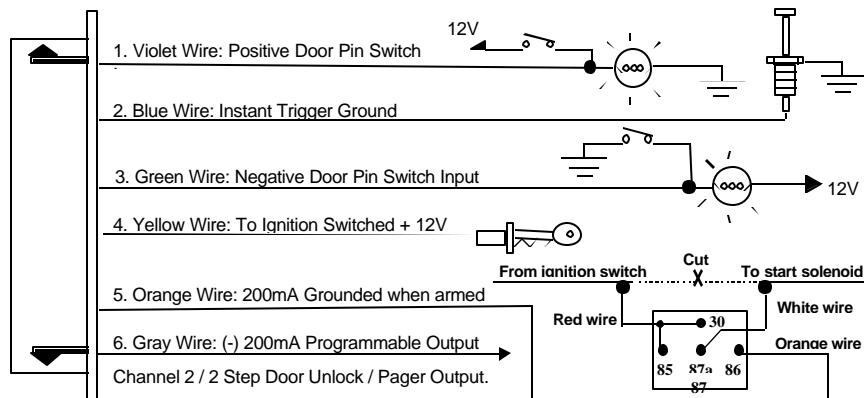
WIRING DIAGRAM



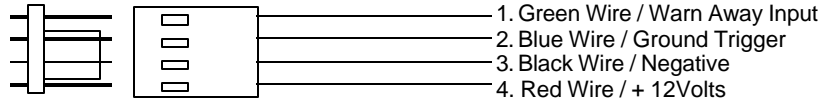
H1: MAIN 5 PIN WIRE HARNESS:



H2: 6 PIN MINI CONNECTOR WIRE HARNESS:

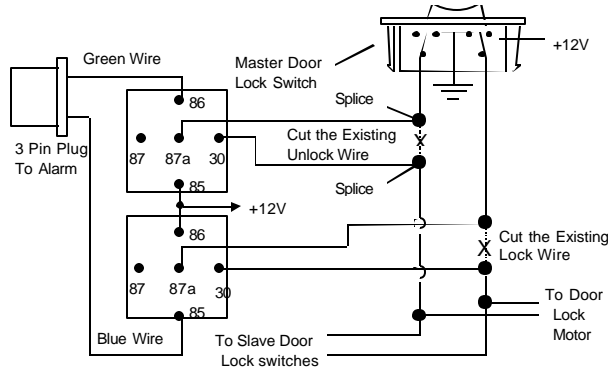


H6: 4 PIN WHITE CONNECTOR FOR 2 STAGE SHOCK SENSOR

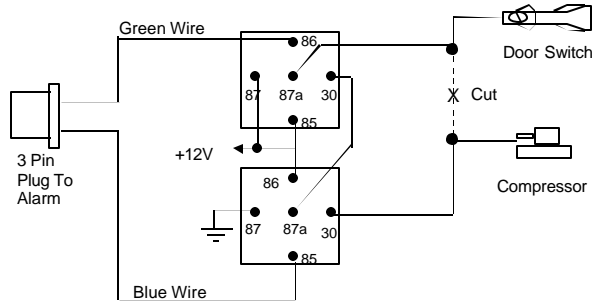


DOOR LOCK DIAGRAMS

5-WIRE ALTERNATING DOOR LOCK



VACUUM OPERATED CENTRAL LOCKING

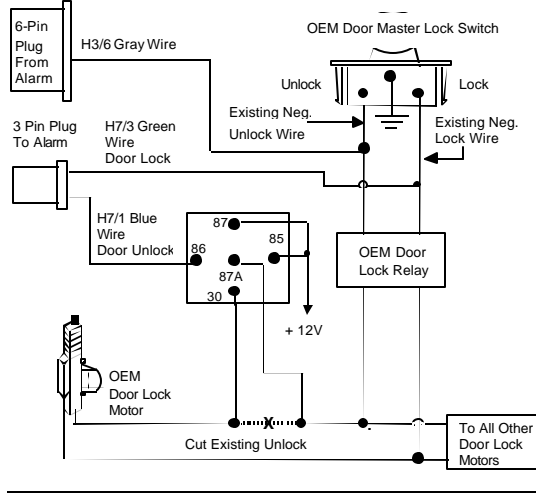


VACUUM OPERATED DOOR LOCKING SYSTEM:

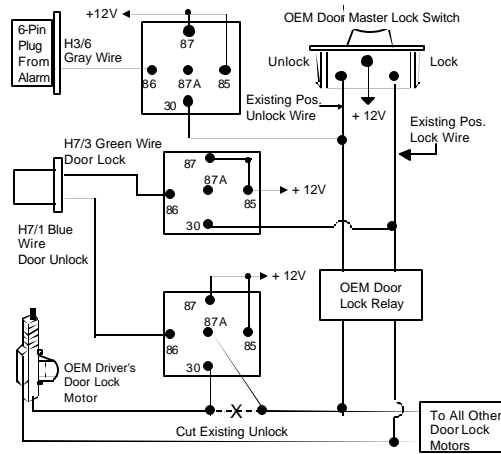
TYPICAL OF MERCEDES BENZ AND AUDI.

Locate the wire under the driver's kick panel. Use the voltmeter connecting to ground, verify that you have the correct wire with the doors unlocked, the voltmeter will receive "12 volts". Lock the doors and the voltmeter will read "0 volt". Move the alligator clip to +12V and the voltmeter will receive "12 volts". Cut this wire and make connections. Be sure to program door lock timer to 3 seconds.(See Feature II – 1 Programming.)

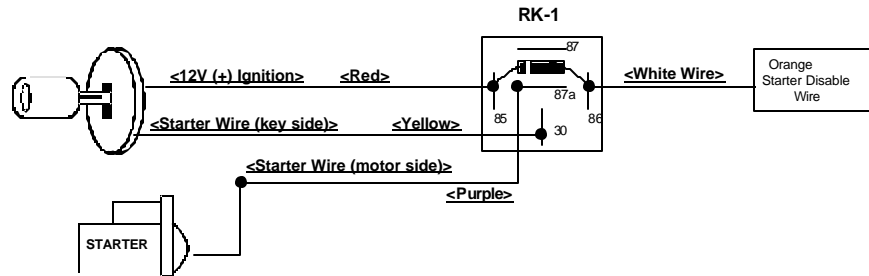
2 STEP DOOR UNLOCK WIRE CONNECTION FOR GROUND SWITCHED DOOR LOCKS



2 STEP DOOR UNLOCK WIRE CONNECTION FOR POSITIVE SWITCHED DOOR LOCKS



STARTER DISABLE



PROGRAMMING

PROGRAMMING TRANSMITTER:

Enter:

1. Turn the Ignition 'switch 'OFF/ON' 3 TIMES and stay in ON position. Within 15 seconds,
2. Push the Valet switch 3 times and hold in on the 3rd push; when a long chirp is heard then release the valet switch. You are now in the Transmitter programming mode.

Program:




1. Press any button on the first transmitter until the siren responds with a confirming chirp; the first transmitter is now programmed.
2. Press any button on the second transmitter until the siren responds with a confirming chirp; the second transmitter is now programmed.
3. Apply the same procedure to program any 3rd and 4th transmitters.

Exit: Turn Ignition to 'OFF' position, or leave it for 15 seconds. 3 long chirps will confirm exit.

Note: If more than 4 transmitters programmed, the system will only keep the last 4 transmitters.

ALARM FEATURE "I" PROGRAMMING:




1. Turn the Ignition 'switch 'ON/OFF' 3 TIMES and stay in OFF position.
2. Push the Valet switch 2 times and hold in on the 2nd push; when a long chirp is heard then release the valet switch. You are now in the Alarm feature 'I' programming mode.
3. Press the transmitter button corresponding to the feature you want to program.
 - a. *The factory default settings is always [1] LED flash, [1] chirp.*
4. Depress the transmitter button again to change the feature. Simply keep pressing the transmitter button again until the module advances to your desired setting.

Press Transmitter Button	One Chirp / LED one pulse Factory Default Setting	Two Chirps / LED two pulse
1 	Chirps on	Chirps off
2 	Automatic Rearm On	Automatic Rearm Off
3 	With Door Ajar error chirp	Bypass Door Ajar error chirp.

Exit: Turn Ignition to 'ON' position, or leave it for 15 seconds. 3 long chirps will confirm exit.

ALARM FEATURE “II” PRORAMMING:




- 1 Turn the Ignition 'switch 'ON/OFF' 3 TIMES and stay in OFF position.
- 2 Push the Valet switch 4 times and hold in on the 4th push; when a long chirp is heard, then release the valet switch. You are now in the Alarm feature 'II' programming mode.
- 3 Press the transmitter button corresponding to the feature you want to program.

Press Transmitter Button	One Chirp / LED one pulse Factory Default Setting	Two Chirps / LED two pulse	Three Chirps / LED three pulse
1 	0.9-second Door lock pulses.	3.0-second Door lock pulse.	Double pulse unlock
2 	Active arming	Passive arming without passive door locking	Passive arming with passive door locking.
3 	Ignition controlled door locks & unlocks	Without ignition controlled door locks & unlocks	

Exit: Turn Ignition to 'ON' position, or leave it for 15 seconds. 3 long chirps will confirm exit.

ALARM FEATURE “III” PRORAMMING:

- 1 Turn the Ignition 'switch 'ON/OFF' 3 TIMES and stay in OFF position.
- 2 Push the Valet switch 6 times and hold in on the 6th push; when a long chirp is heard, then release the valet switch. You are now in the Alarm feature 'III' programming mode.
- 3 Press the transmitter button corresponding to the feature you want to program.

Press Transmitter Button	One Chirp / LED one pulse Factory Default Setting	Two Chirps / LED two pulse	Three Chirps / LED three pulse
1 	H1/4 Brown Wire = Siren Output	H1/4 Brown Wire = Horn Output	
2 	H2/6 Gray Wire = Trunk (Channel 2) Output	H2/6 Gray Wire = Two Step Door Unlock Output	H2/6 Gray Wire = Pager Output
3 	Car Jacking Off	Car Jacking On	

Exit: Turn Ignition to 'ON' position, or leave it for 15 seconds. 3 long chirps will confirm exit

Technical Support:
800-262-2527 ext. 461
(For Authorized Dealers Only)

NOTES

AUTOPAGE ((U))®
1815 West 205th Street, Suite 101
Torrance, California 90501-1525
Main Office: 310-618-2002
www.autopageusa.com